

VT6GC - B22 - 6 R 00 - A 1 - 00 -

Series

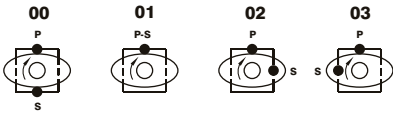
Cam ring

Volumetric displacement cm^3/rev (in^3/rev)

| | |
|-------------------|--------------------|
| B03 = 10.8 (0.66) | B15 = 50.5 (3.08) |
| B05 = 17.2 (1.05) | B17 = 58.3 (3.56) |
| B06 = 21.3 (1.30) | B20 = 63.8 (3.89) |
| B08 = 26.4 (1.61) | B22 = 70.3 (4.29) |
| B10 = 34.1 (2.08) | B25 = 79.3 (4.84) |
| B12 = 37.1 (2.26) | B28 = 88.8 (5.42) |
| B14 = 46.0 (2.81) | B31 = 100.0 (6.10) |

Type of shaft

6 - splined (DIN 5462)



S - Suction port P - Pressure port

Modifications

Mounting W/connection variables

| | UNC | | METRIC | |
|----------|------|-----|--------|-----|
| | 00 | 01 | M0 | M1 |
| S=1 1/2" | SAE | SAE | SAE | SAE |
| P=1 | BSPP | SAE | BSPP | SAE |

Seal class

1 - S1

Design letter

Porting combination

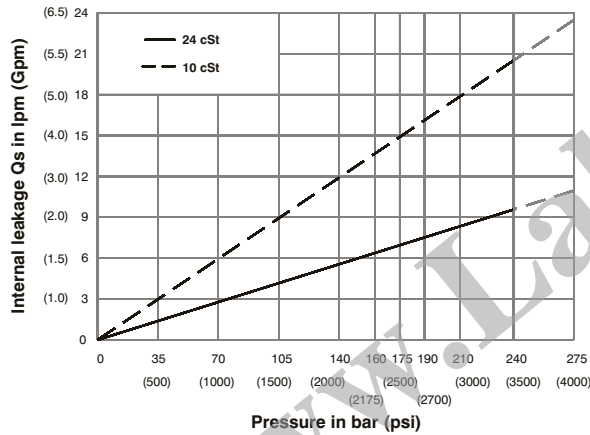
00 - standard

Direction of rotation (view on shaft end)

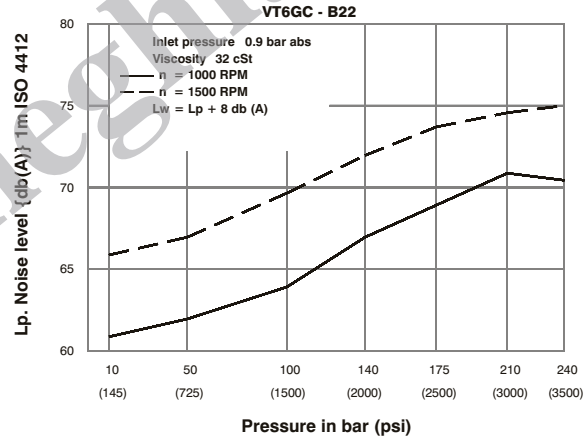
R - clockwise

L - counter-clockwise

INTERNAL LEAKAGE (TYPICAL)

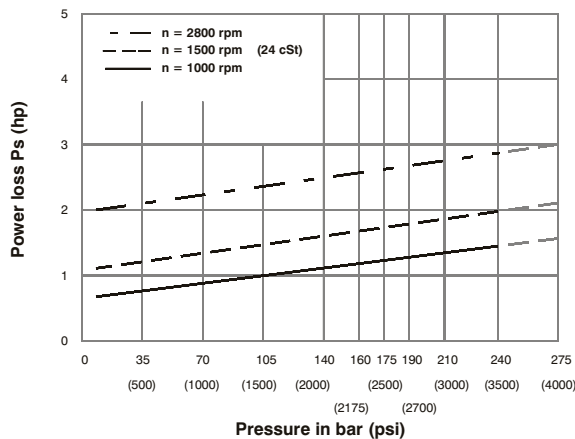


NOISE LEVEL (TYPICAL)

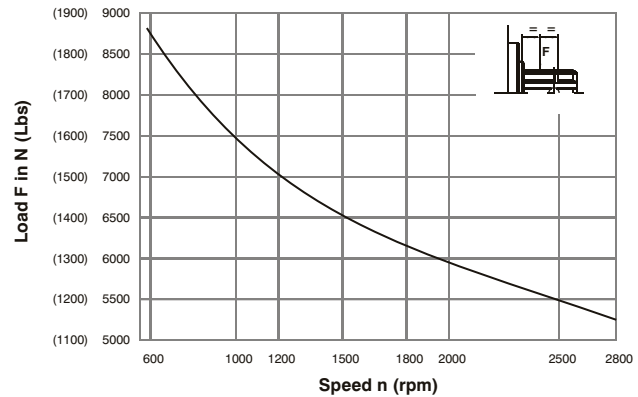


Do not operate pump more than 5 seconds at any speed or viscosity if internal leakage is more than 50% of theoretical flow.

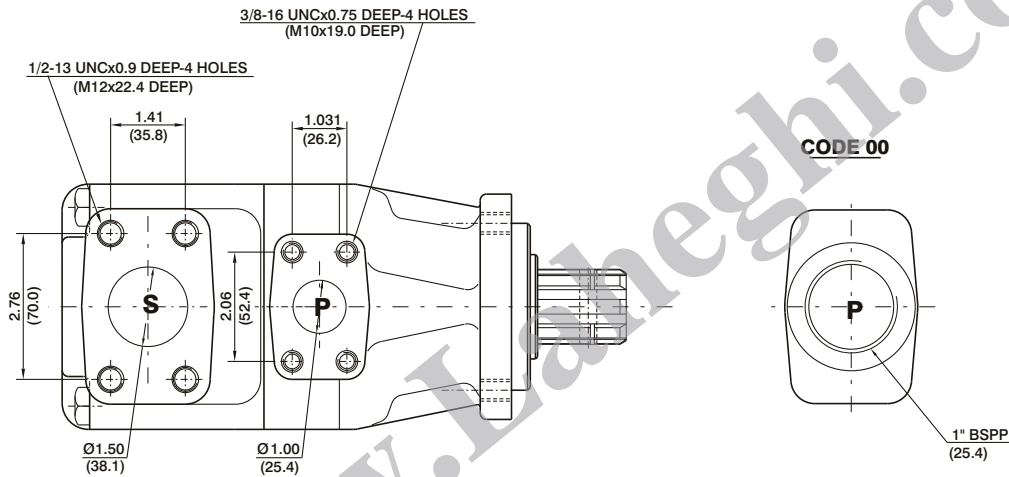
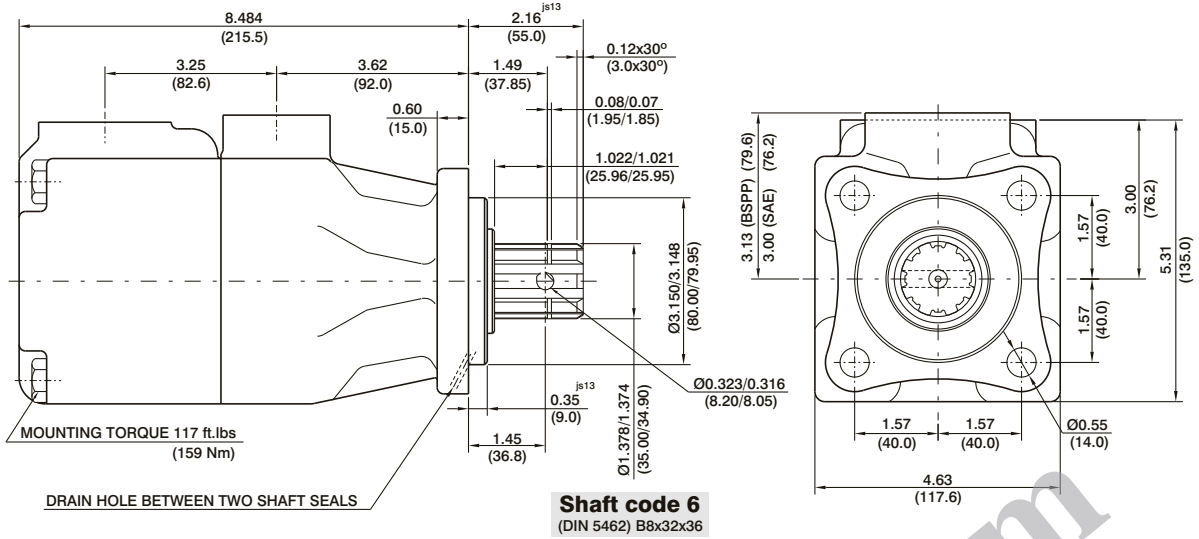
HYDROMECHANICAL POWER LOSS (TYPICAL)



PERMISSIBLE RADIAL LOAD



Life time 3000 hours when 70% of the time at 500 N and 30% at max. load.



OPERATING CHARACTERISTICS - TYPICAL (24 cST)

| Pressure port | Series | Volumetric Displacement Vp | | Flow q & n = 1500 rpm | | | | | | Input power p & n = 1500 rpm | | | | | |
|---------------------|---------------------|----------------------------|----------------------|-----------------------|-------|------------------------|-------|------------------------|-------|------------------------------|-------|------------------------|-------|------------------------|------|
| | | in ³ /rev | cm ³ /rev | p = 0 bar (0 psi) | | p = 140 bar (2000 psi) | | p = 240 bar (3500 psi) | | p = 7 bar (100 psi) | | p = 140 bar (2000 psi) | | p = 240 bar (3500 psi) | |
| | | gpm | lpm | gpm | lpm | gpm | lpm | gpm | lpm | hp | kw | hp | kw | hp | kw |
| VT6GC | B03 | 0.66 | 10.8 | 4.29 | 16.2 | 2.83 | 10.7 | -- | -- | 1.74 | 1.3 | 7.11 | 5.3 | -- | -- |
| | B05 | 1.05 | 17.2 | 6.83 | 25.8 | 5.37 | 20.3 | 4.17 | 15.8 | 1.88 | 1.4 | 10.06 | 7.5 | 16.36 | 12.2 |
| | B06 | 1.30 | 21.3 | 8.44 | 31.9 | 7.01 | 26.5 | 5.82 | 22.0 | 2.01 | 1.5 | 11.94 | 8.9 | 19.71 | 14.7 |
| | B08 | 1.61 | 26.4 | 10.48 | 39.6 | 9.02 | 34.1 | 7.83 | 29.6 | 2.15 | 1.6 | 14.35 | 10.7 | 22.93 | 17.7 |
| | B10 | 2.08 | 34.1 | 13.52 | 51.1 | 12.08 | 45.7 | 10.89 | 41.2 | 2.28 | 1.7 | 18.64 | 13.4 | 29.90 | 22.3 |
| | B12 | 2.26 | 37.1 | 14.71 | 55.6 | 13.28 | 50.2 | 12.08 | 45.7 | 2.28 | 1.7 | 19.31 | 14.4 | 32.32 | 24.1 |
| | B14 | 2.81 | 46.0 | 18.25 | 69.0 | 16.79 | 63.5 | 15.60 | 59.0 | 2.55 | 1.9 | 23.60 | 17.6 | 39.56 | 29.5 |
| | B15 | 3.08 | 50.5 | 20.00 | 75.6 | 18.62 | 70.4 | 17.46 | 66.0 | 2.68 | 2.0 | 25.61 | 19.1 | 42.91 | 32.0 |
| | B17 | 3.56 | 58.3 | 23.12 | 87.4 | 21.69 | 82.0 | 20.50 | 77.5 | 2.82 | 2.1 | 29.37 | 21.9 | 49.48 | 36.9 |
| | B20 | 3.89 | 63.8 | 25.32 | 95.7 | 23.86 | 90.2 | 22.67 | 85.7 | 2.95 | 2.2 | 31.92 | 23.8 | 53.91 | 40.2 |
| | B22 | 4.29 | 70.3 | 27.88 | 105.4 | 26.45 | 100.0 | 25.26 | 95.5 | 3.08 | 2.3 | 35.00 | 26.1 | 59.14 | 44.1 |
| | B25 ¹⁾ | 4.84 | 79.3 | 31.46 | 118.9 | 30.02 | 113.5 | 28.83 | 109.0 | 3.35 | 2.5 | 39.16 | 29.2 | 66.38 | 49.5 |
| | B28 ^{1,2)} | 5.42 | 88.8 | 35.24 | 133.2 | 33.78 | 127.7 | 32.93 | 124.5 | 3.75 | 2.8 | 43.85 | 32.7 | 75.04 | 55.5 |
| B31 ^{1,2)} | 6.10 | 100.0 | 39.68 | 150.0 | 38.22 | 144.5 | 37.38 | 141.3 | 3.75 | 2.8 | 48.95 | 36.5 | 82.95 | 61.4 | |

1) B25-B28-B31 = 2500 R.P.M. max.

2) B28-B31 = 210 bar (3000 psi) max. int.

-- Not to use because internal leakage greater than 50% theoretical flow.